

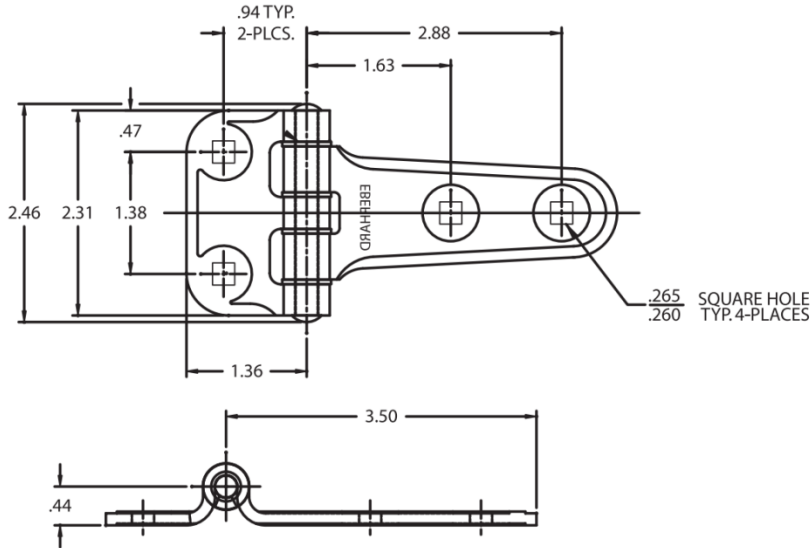
## 6515 / 6516 Stainless Steel Strap Hinge

### Features

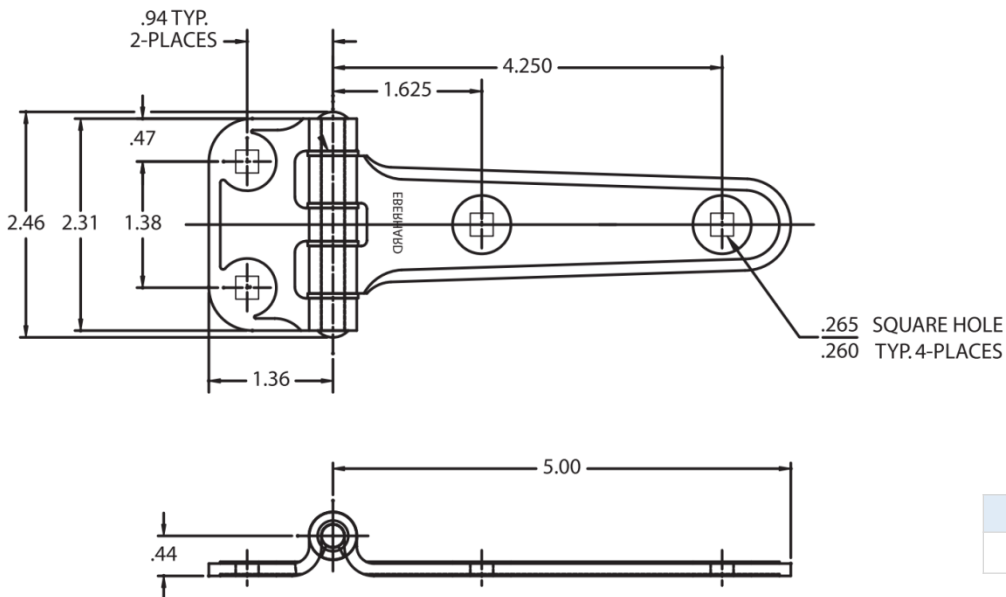
- Polished 10 gauge 304 stainless steel hinge with rounded corners and .256" square mounting holes that accept a standard 1/4" carriage bolt

### Material

- Stainless steel 304, polished



<b>Part No.</b>
<b>6515-SSP</b>



<b>Part No.</b>
<b>6516-SSP</b>

Dimensions in inches



We are Eberhard's exclusive distributor